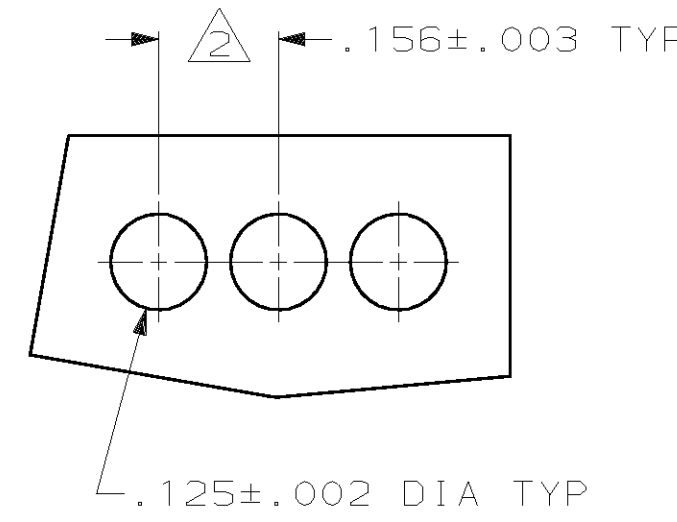
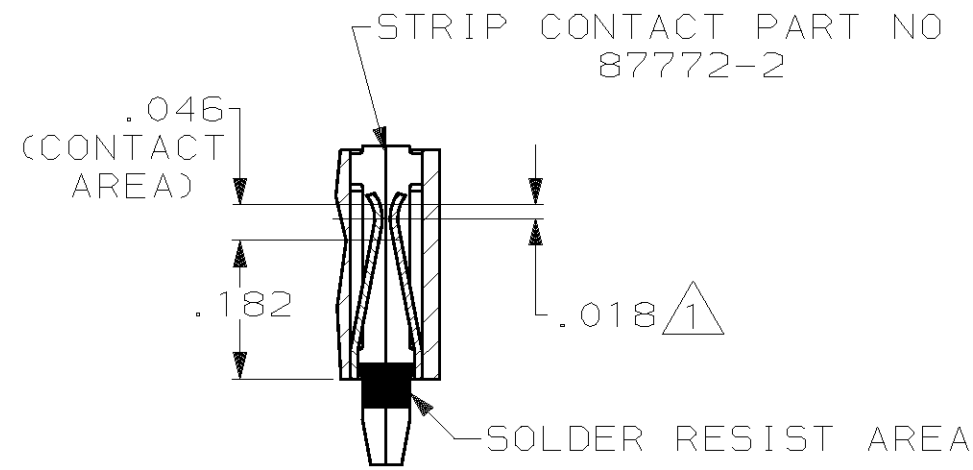


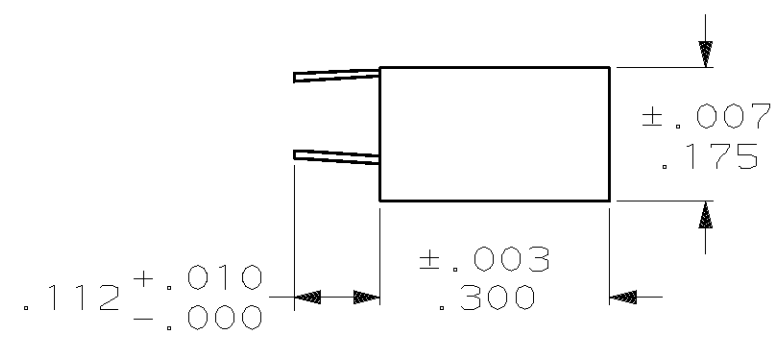
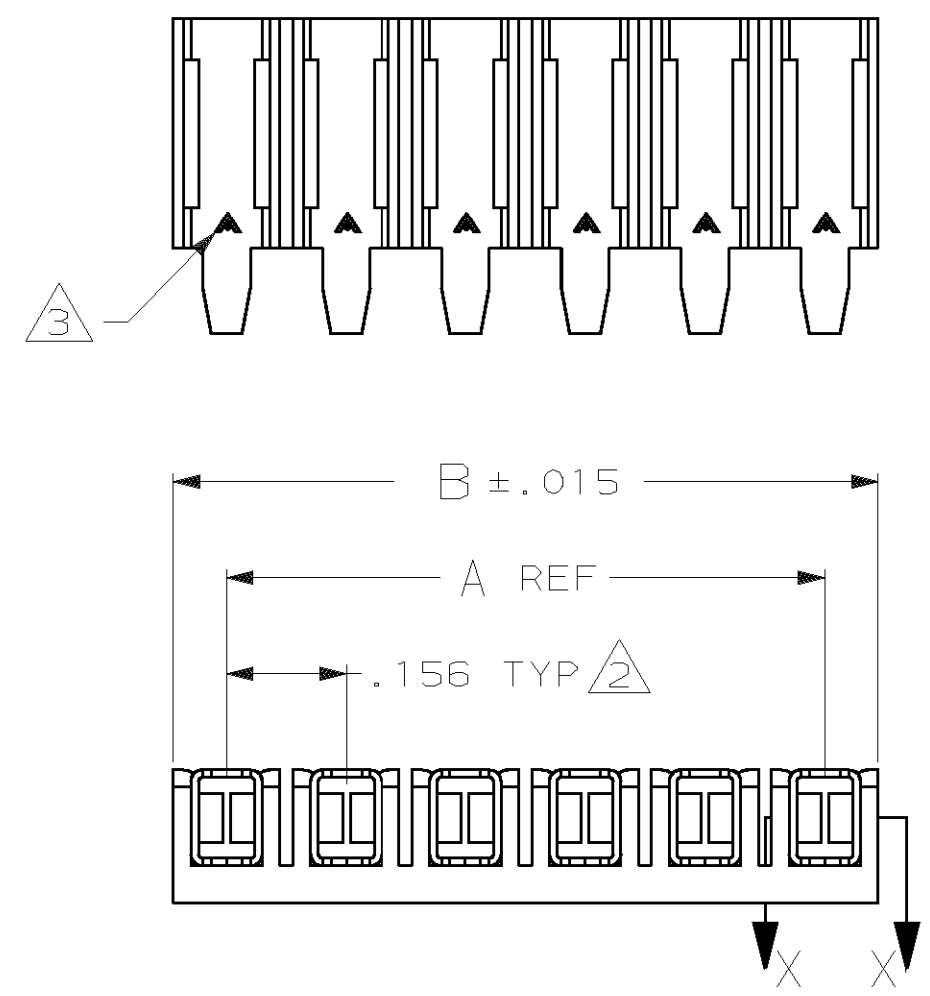
THIS DRAWING IS UNPUBLISHED. RELEASED FOR PUBLICATION, 19 .
 © COPYRIGHT 19 BY AMP INCORPORATED, HARRISBURG, PA. ALL INTERNATIONAL RIGHTS RESERVED. AMP PRODUCTS MAY BE COVERED BY U.S. AND FOREIGN PATENTS AND/OR PATENTS PENDING.

LOC		DIST		P		F		ZONE		LTR		REVISIONS		DATE	APPROVED	
AD	39												A	REV & REDRAWN-ECN 978	-	-
													B	REV ECN 1286	12-11-86	-
													C	REV LOC & DIST AD-4171	3-90	BF
													D	REV PER 0010-0700-93	8-7-93	SAS
													E	REV PER 0010-1103-93	3-16-94	SAS
													F	REV PER 0010-0356-94	6-1-94	JH
													G	REV PER 0010-1175-95	12-17-96	JH
													P	REV PER 0310-0143-97	3-31-97	JH
													J	REV PER 0310-0442-97	02-FEB-98	JH
													K	REV PER 063C-0107-00	08AUG00	MZ



SECTION X-X

RECOMMENDED BOARD MOUNTING
 (RECOMMENDED BOARD THICKNESS: .055-.070)



- ① POINT OF MEASUREMENT FOR PLATING THICKNESS (INSIDE OF BEAMS).
- ② TOLERANCE NON-CUMULATIVE.
- ③ THE MATING END OF THE CONTACT IS IDENTIFIED BY THE LETTER "A" STAMPED ON THE RECEPTACLE BOX.
- 4 A MILDLY ACTIVATED FLUX IS REQUIRED TO SOLDER THIS CONTACT
- ⑤ .000030 GOLD OVER .000050 NICKEL INLAID IN CONTACT AREA, .000500 ALUMINUM INLAID IN SOLDER RESIST AREA, THE REMAINDER OF THE CONTACT IS UNFINISHED

3.120	2.964	20	2-87989-0
2.964	2.808	19	1-87989-9
2.808	2.652	18	1-87989-8
2.652	2.496	17	1-87989-7
2.496	2.340	16	1-87989-6
2.340	2.184	15	1-87989-5
2.184	2.028	14	1-87989-4
2.028	1.872	13	1-87989-3
1.872	1.716	12	1-87989-2
1.716	1.560	11	1-87989-1
1.560	1.404	10	1-87989-0
1.404	1.248	9	87989-9
1.248	1.092	8	87989-8
1.092	.936	7	87989-7
.936	.780	6	87989-6
.780	.624	5	87989-5
.624	.468	4	87989-4
.468	.312	3	87989-3
.312	.156	2	87989-2

UNLESS OTHERWISE SPECIFIED DIMENSIONS ARE IN INCHES TOLERANCES ON :		DR 3-17-86 L A MAYER	AMP INCORPORATED Harrisburg, Pa. 17105
2 PL DEC ± - 3 PL DEC ± .005 ANGLES ± -		CHK 3-18-86 P deJONG	
MATERIAL: HOUSING-FLAME RETARDANT THERMOPLASTIC, COLOR-BLACK		APPD 3-18-86 P deJONG	NAME ASSY, MOD 1, BOARD MOUNT RECP, .156¢, STD PRESSURE, TYPE A, FOR ROUND HOLE MOUNTING
CONTACTS: COPPER-NICKEL-TIN		APPD 3-18-86 C LINDGREN	
FINISH: CONTACTS		PRODUCT SPEC 108-25,016	SIZE C 00779
⑤		APPLICATION SPEC 114-25,004	DRAWING NO 87989
		WEIGHT -	SCALE 4:1
			SHEET 1 OF 1